

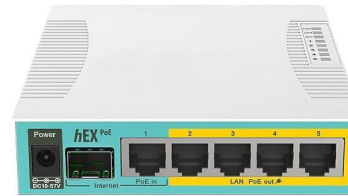
Click on your SimRush Controller Model



SimRush One



SimRush One+



SimRush Power



SimRush PowerBox (Legacy)



SimRush Pro



SimRush Go (Legacy)



SimRush Go+



SimRush Pro WiFi



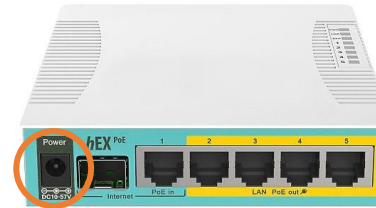
SimRush Core



SimRush One



SimRush One+



SimRush Power



SimRush PowerBox



SimRush Pro WiFi

Remove power cable.  
All lights should now be off.  
Reconnect power cable.



SimRush Go



SimRush Go+



SimRush Core



SimRush Pro



SimRush Pro WiFi



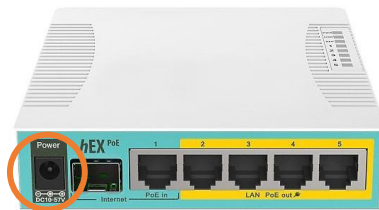
SimRush One



SimRush One+



SimRush PowerBox



SimRush Power



SimRush Go+



SimRush Pro

- 2.5AMP
- Connected firmly into power slot
- PSU has power from outlet
- PWR indicator illuminated

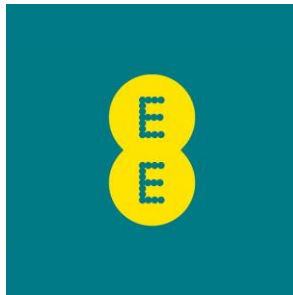
- 1.2AMP
- Connected firmly into power slot
- PSU has power from outlet
- PWR indicator illuminated

- 240v 13amp IEC cable
- Connected firmly into IEC slots
- PSU has power from outlet
- PWR indicator illuminated



SimRush Core

Click on the carrier below to check on the status of the Mobile Service in your area  
You will require your postcode to check the service



EE

<https://coverage.ee.co.uk/coverage/ee>



O2

<http://status.o2.co.uk/>

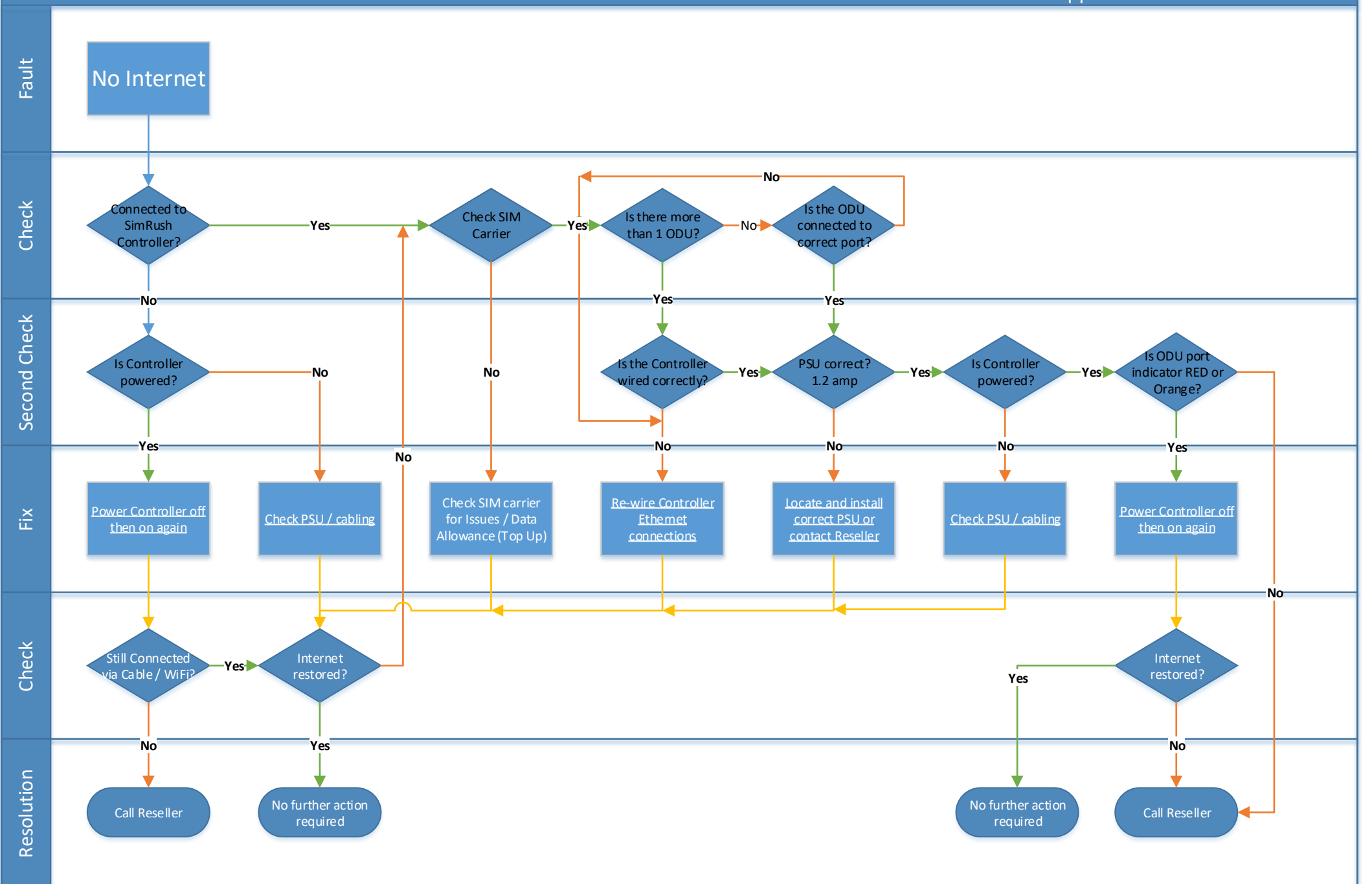


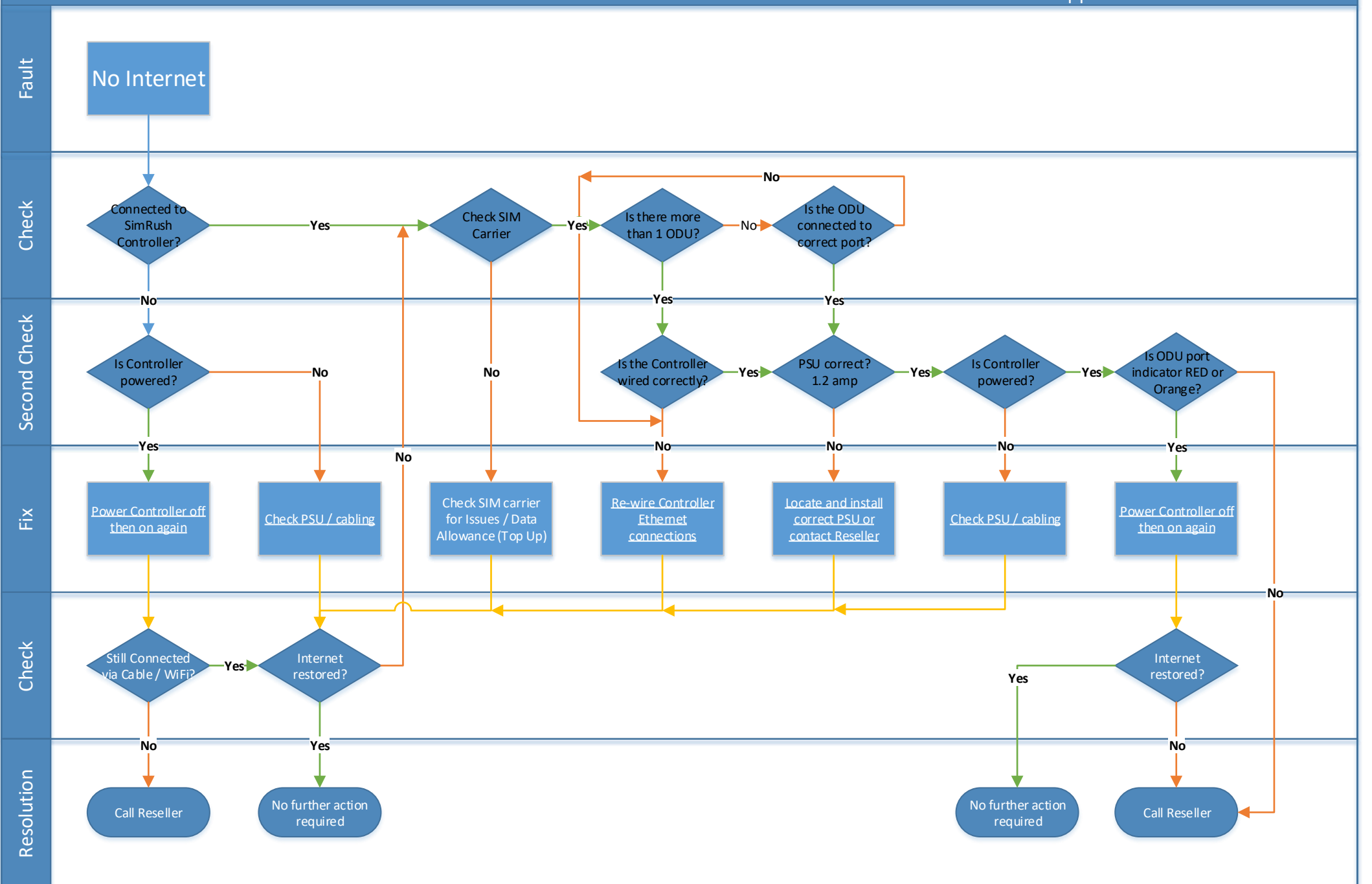
Vodafone

<https://www.vodafone.co.uk/network/status-checker>

# SimRush One - Support Workflow

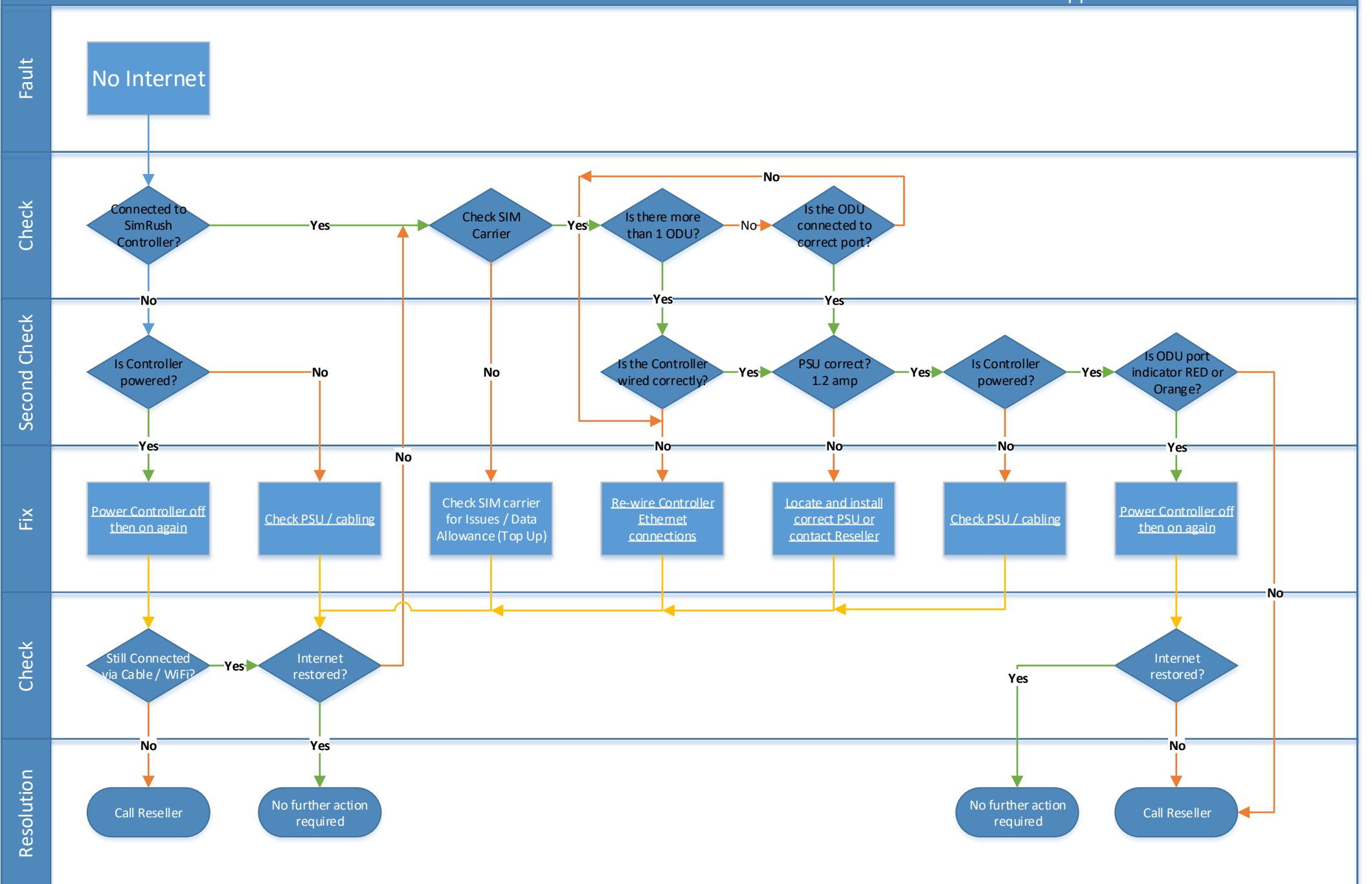
Interactive Support flowchart SimRush Ltd 2021





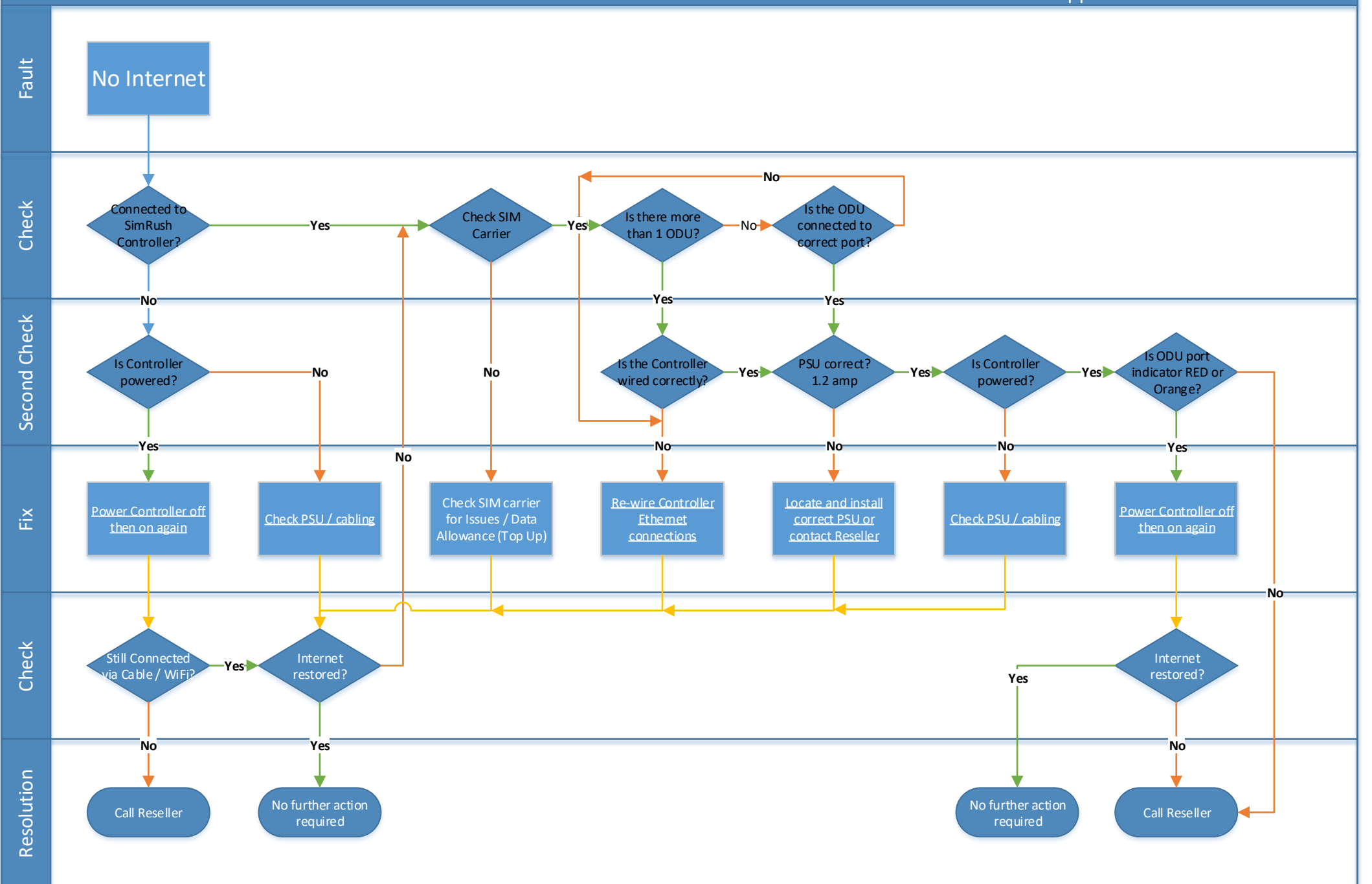
# SimRush Power - Support Workflow

Interactive Support flowchart SimRush Ltd 2021

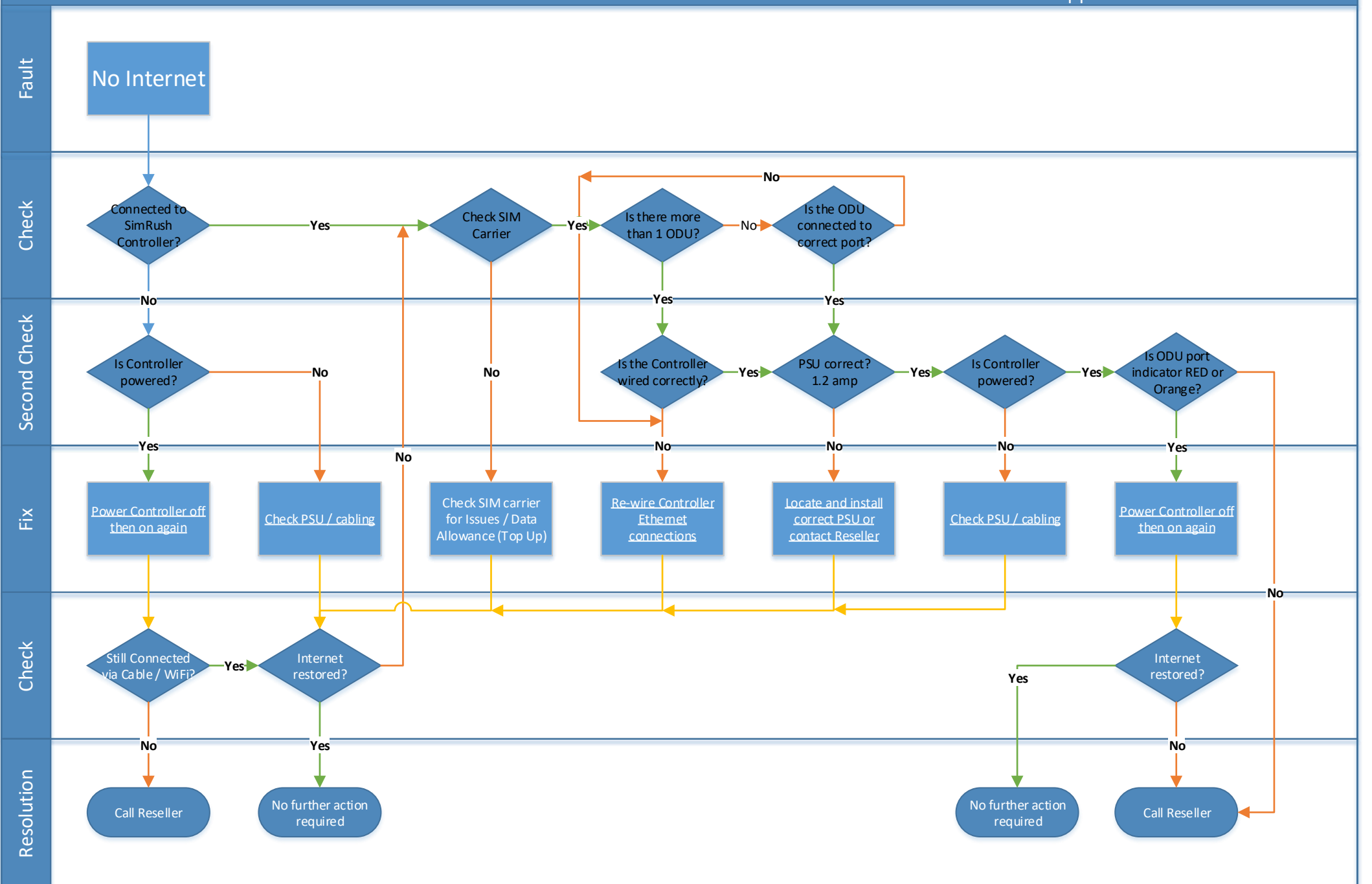


# SimRush PowerBox - Support Workflow

Interactive Support flowchart SimRush Ltd 2021

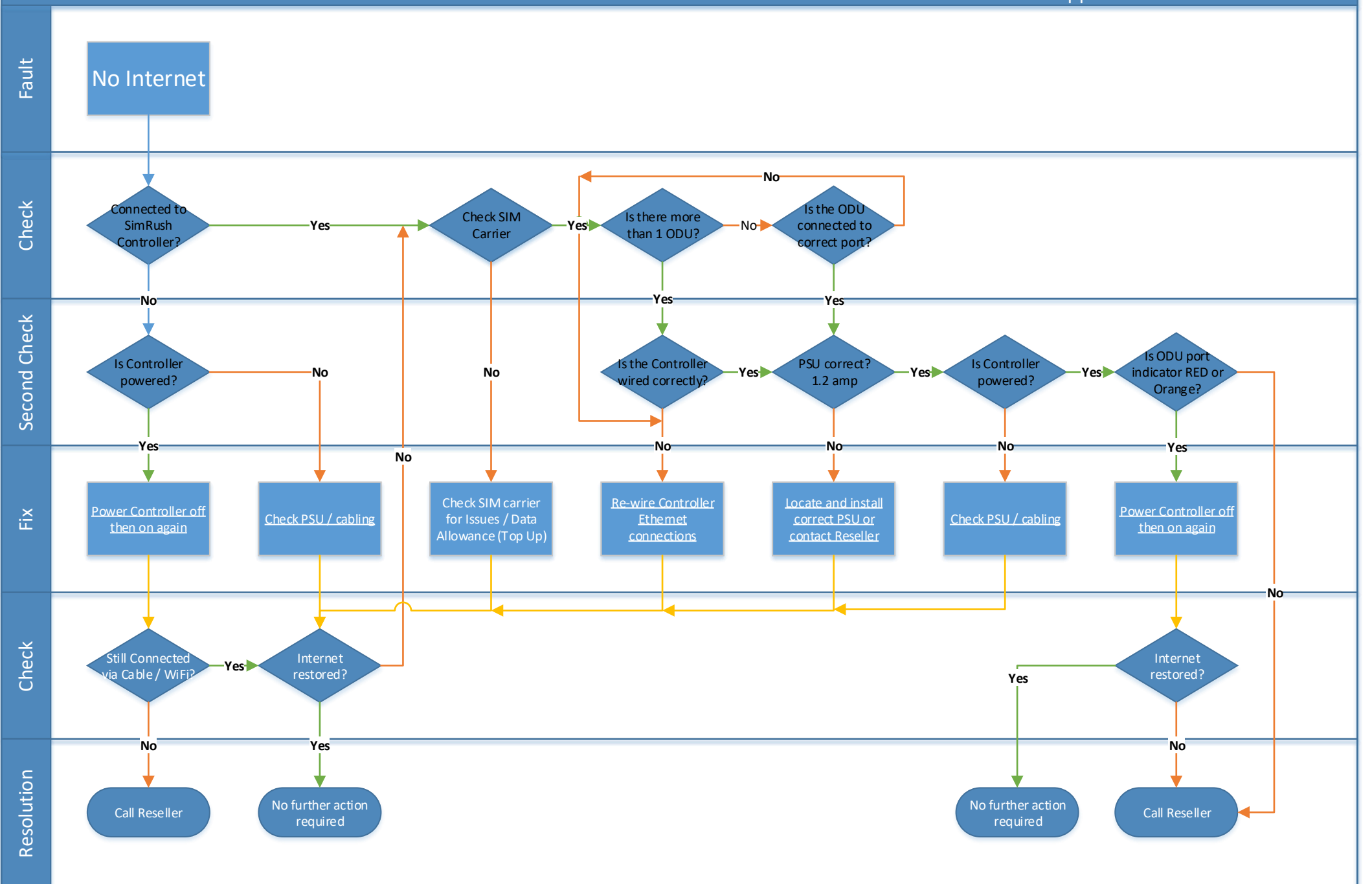






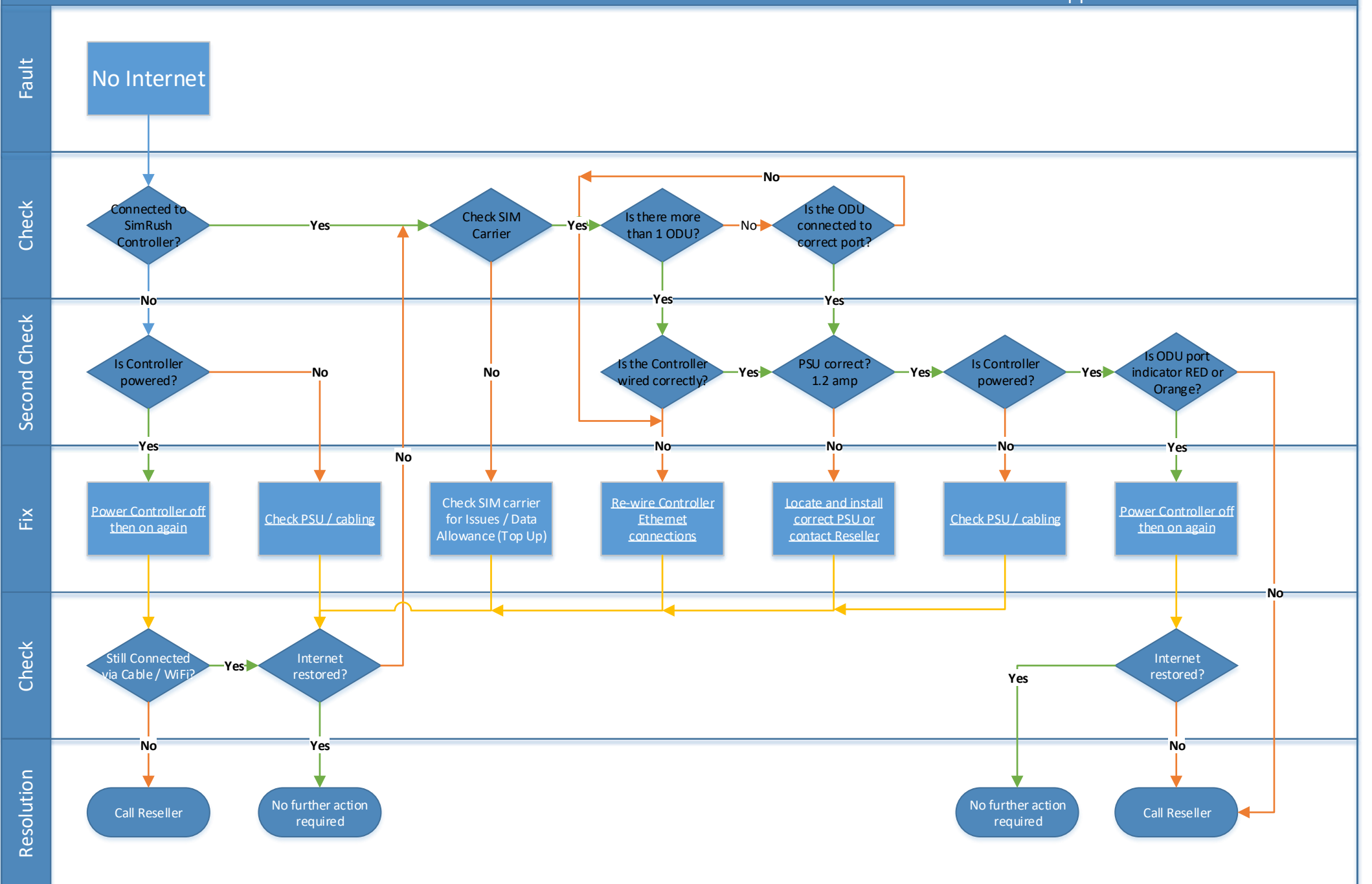
# SimRush Pro WiFi - Support Workflow

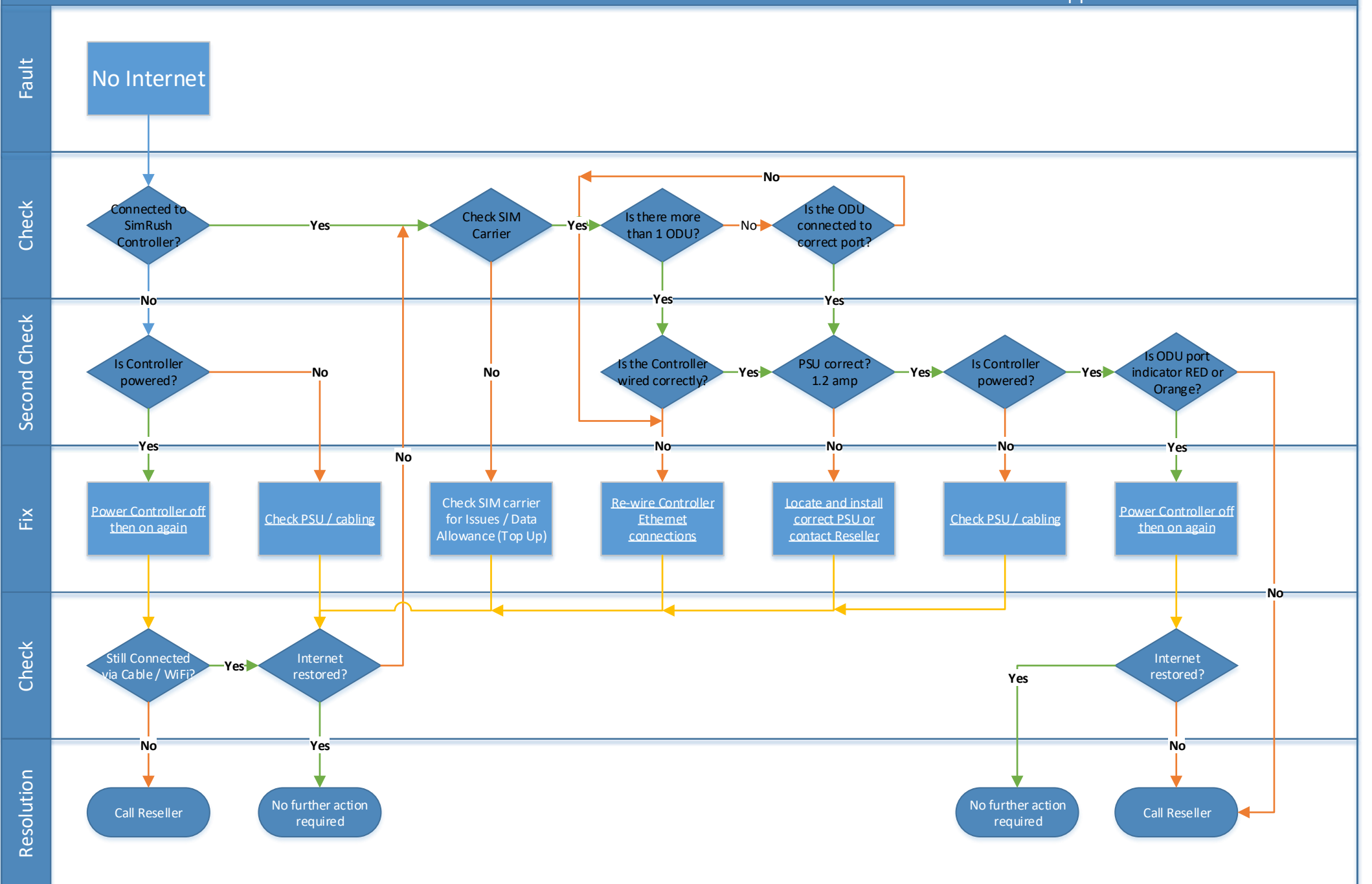
Interactive Support flowchart SimRush Ltd 2021



# SimRush Core - Support Workflow

Interactive Support flowchart SimRush Ltd 2021



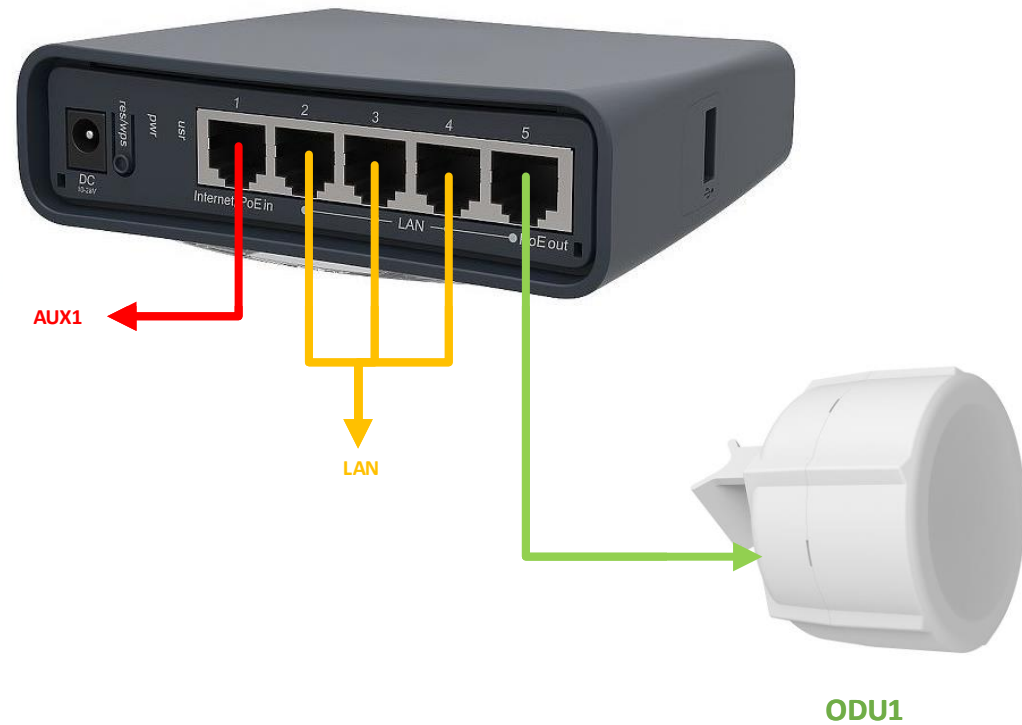


### SimRush Hardware Cabling

#### SimRush One

- Ether1 – **AUX1** Port
- Ether2 – **LAN** Port
- Ether3 – **LAN** Port
- Ether4 – **LAN** Port
- Ether5 – **ODU1** Port

PSU: 24v 1.2amp



[SimRush AP One & wAP One](#)

[Check Carrier](#)

[Check Power Cable](#)

[HOME](#)

## SimRush AP One

- Ether1 – LAN Port
- Ether2 – LAN Port
- Ether3 – LAN Port
- Ether4 – LAN Port
- Ether5 – LAN Port

1.2 amp 24v PSU

## wAP One+

- Ether1 LAN Port
- 1.2 amp 24v PSU



[Check Power Cable](#)

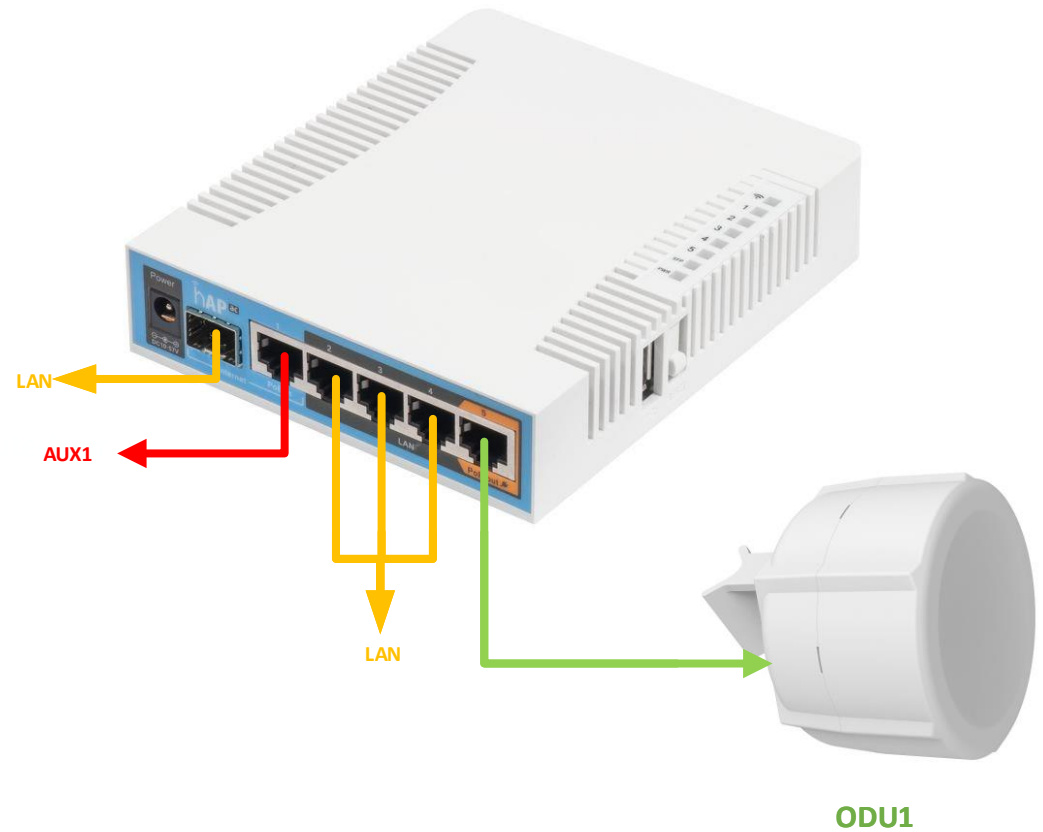
[HOME](#)

### SimRush Hardware Cabling

#### SimRush One

- SFP – LAN Port
- Ether1 – AUX1 Port
- Ether2 – LAN Port
- Ether3 – LAN Port
- Ether4 – LAN Port
- Ether5 – ODU1 Port

PSU: 24v 1.2amp



[Check Carrier](#)

[Check Power Cable](#)

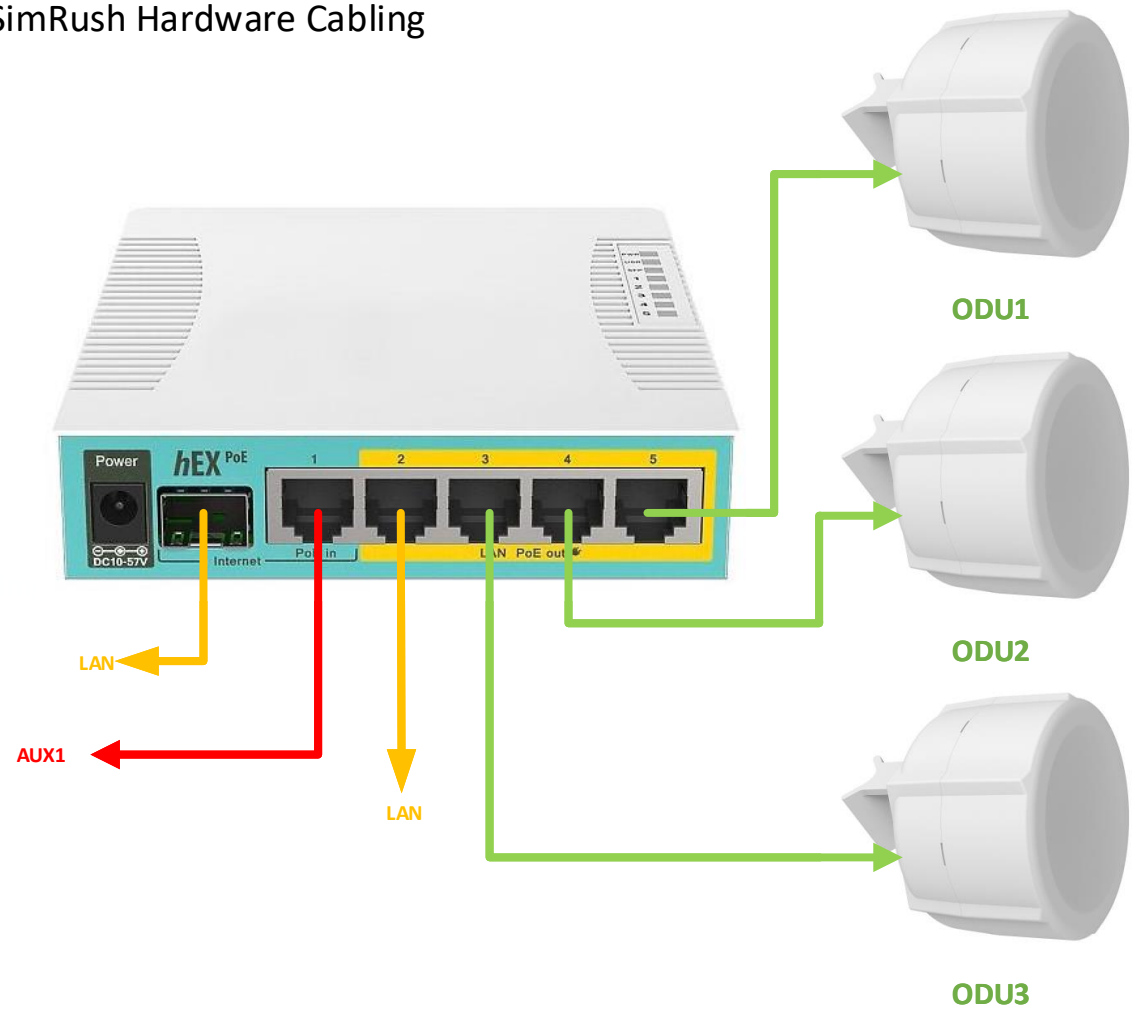
[HOME](#)

### SimRush Hardware Cabling

#### SimRush Power

- SFP – LAN Port
- Ether1 – AUX1 Port
- Ether2 – LAN Port
- Ether3 – ODU3 Port
- Ether4 – ODU2 Port
- Ether5 – ODU1 Port

PSU: 24v 2.5amp



SimRush Power

[SimRush Power with AP One](#)

[Check Carrier](#)

[Check Power Cable](#)

[HOME](#)

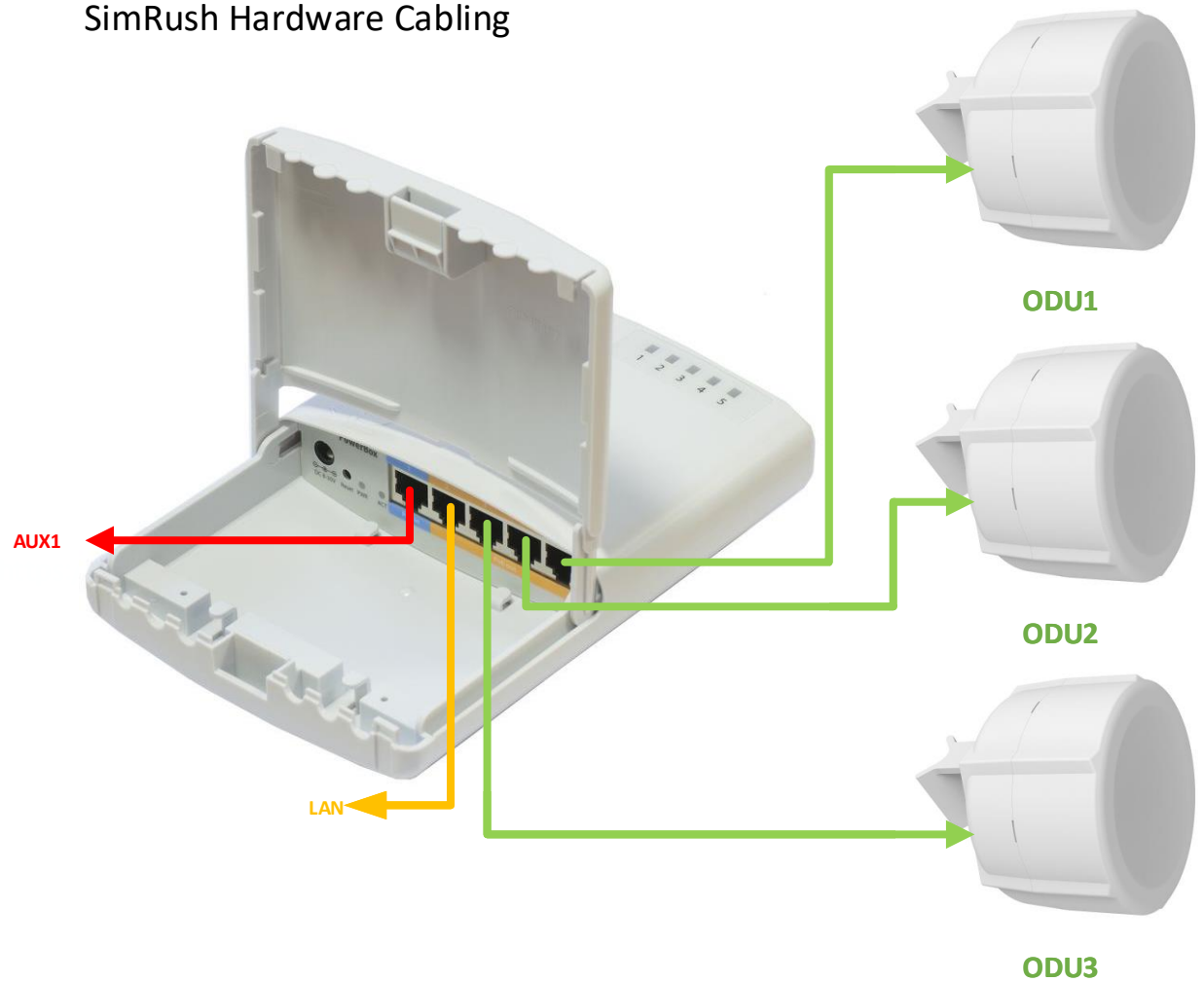


### SimRush Hardware Cabling

#### SimRush PowerBox

- Ether1 – **AUX1** Port
- Ether2 – **LAN** Port
- Ether3 – **ODU3** Port
- Ether4 – **ODU2** Port
- Ether5 – **ODU1** Port

PSU: 24v 2.5amp



[Check Carrier](#)

[Check Power Cable](#)

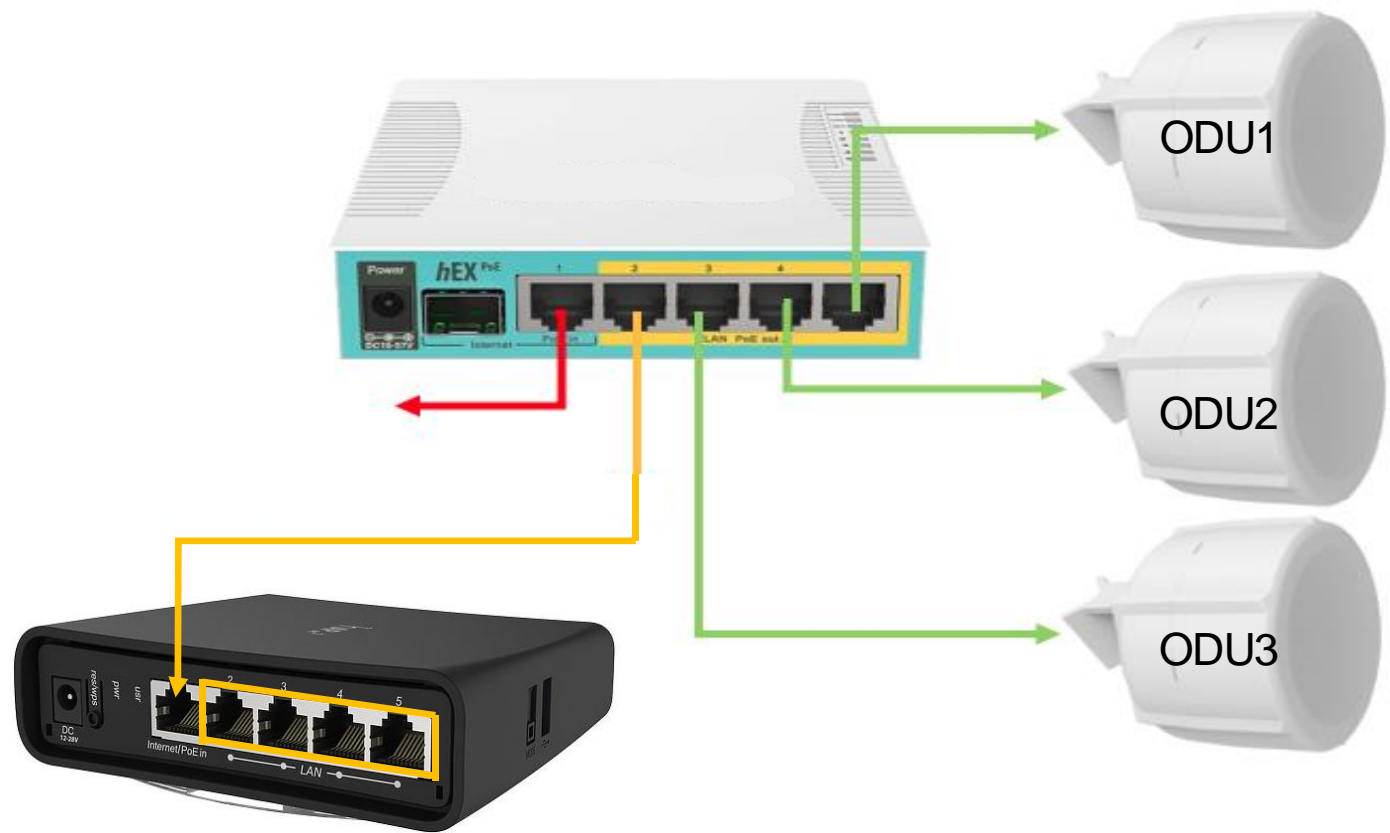
[HOME](#)

### SimRush Power

- Ether1 – **AUX1** Port
  - Ether2 – **LAN** Port
  - Ether3 – **ODU3** Port
  - Ether4 – **ODU2** Port
  - Ether5 – **ODU1** Port
- 2.5 amp 24v PSU

### AP One

- Ether1-5
  - LAN** Ports
- 1.2 amp 24v PSU



SimRush Power with AP One

Check Power Cable

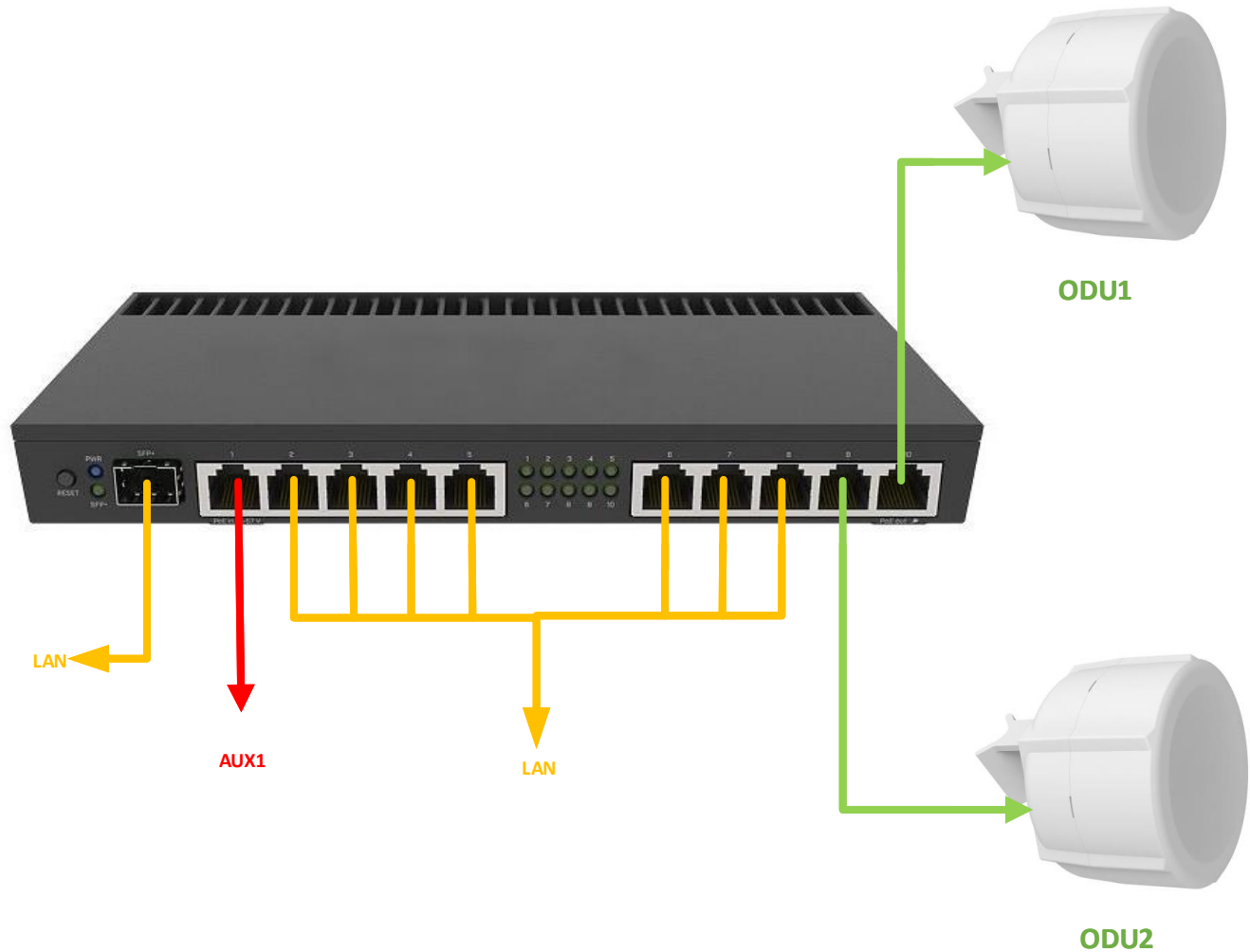
HOME

### SimRush Hardware Cabling

#### SimRush Pro

- SFP – LAN Port
- Ether1 – AUX1 Port
- Ether2 – LAN Port
- Ether3 – LAN Port
- Ether4 – LAN Port
- Ether5 – LAN Port
- Ether6 – LAN Port
- Ether7 – LAN Port
- Ether8 – LAN Port
- Ether9 – ODU2 Port
- Ether10 – ODU1 Port

PSU: 24v 1.2amp



[Check Carrier](#)

[Check Power Cable](#)

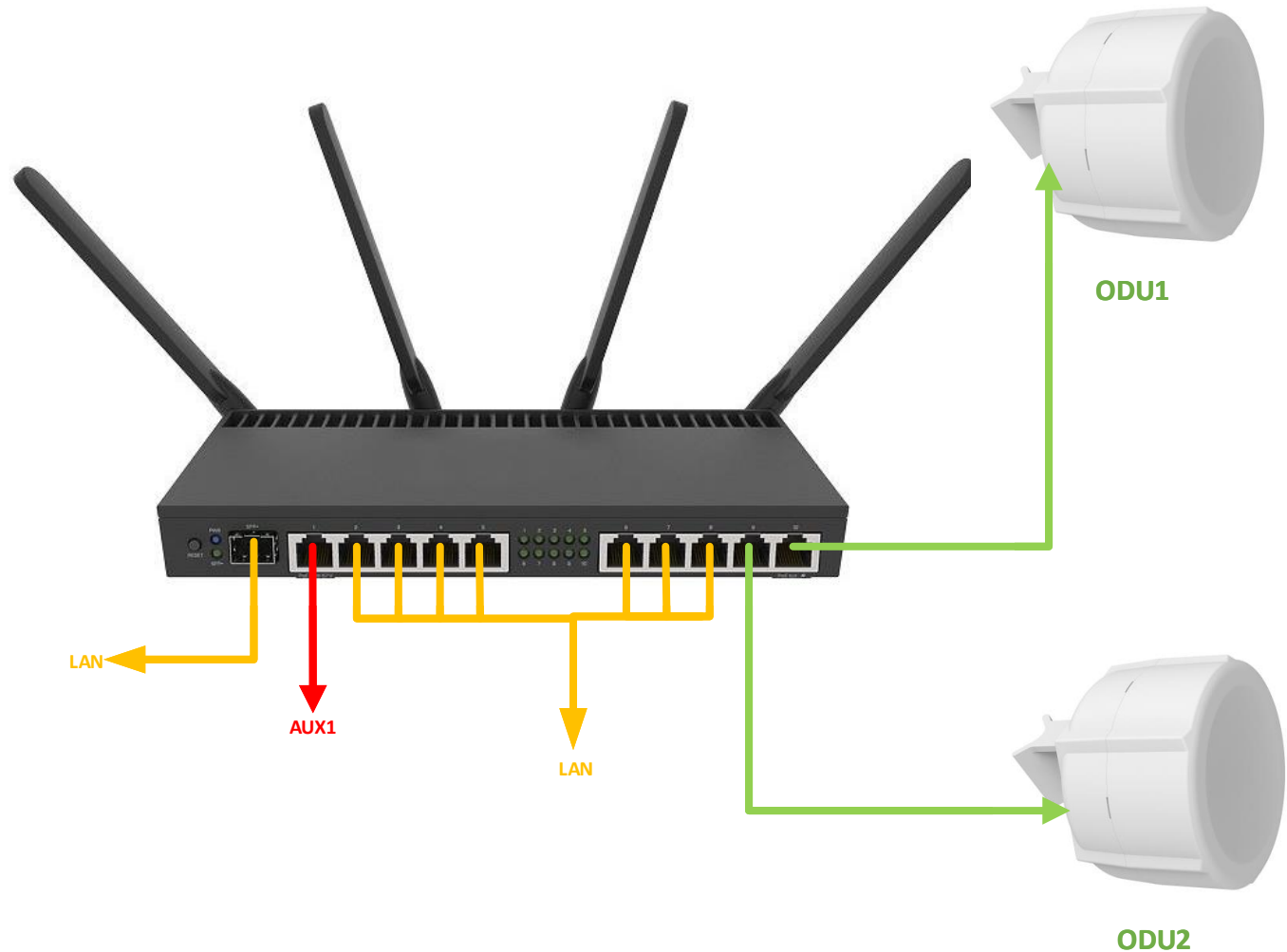
[HOME](#)

### SimRush Hardware Cabling

#### SimRush Pro

- SFP – LAN Port
- Ether1 – AUX1 Port
- Ether2 – LAN Port
- Ether3 – LAN Port
- Ether4 – LAN Port
- Ether5 – LAN Port
- Ether6 – LAN Port
- Ether7 – LAN Port
- Ether8 – LAN Port
- Ether9 – ODU2 Port
- Ether10 – ODU1 Port

PSU: 24v 2.5amp



[Check Carrier](#)

[Check Power Cable](#)

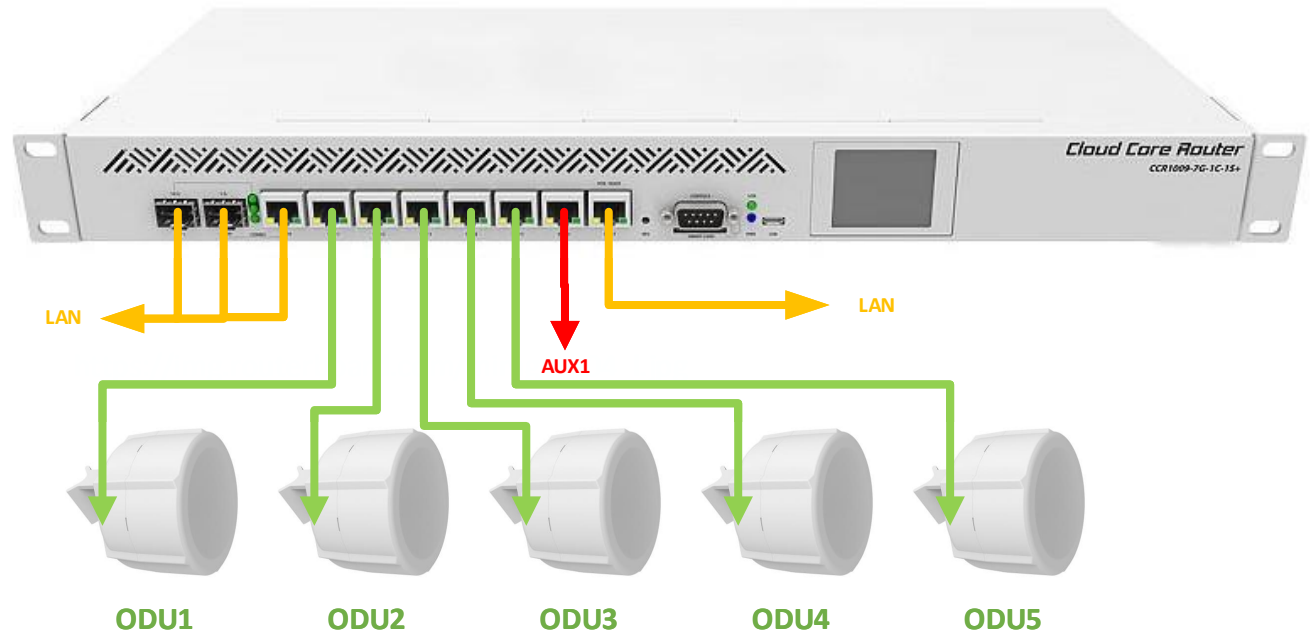
[HOME](#)

### SimRush Hardware Cabling

#### SimRush Core

- SFP+ – LAN Port
- Combo – LAN Port
- Ether1 – ODU1 Port
- Ether2 – ODU2 Port
- Ether3 – ODU3 Port
- Ether4 – ODU4 Port
- Ether5 – ODU5 Port
- Ether6 – AUX1 Port
- Ether7 – LAN Port

PSU: 240v 13amp IEC



SimRush Power Core

[Check Carrier](#)

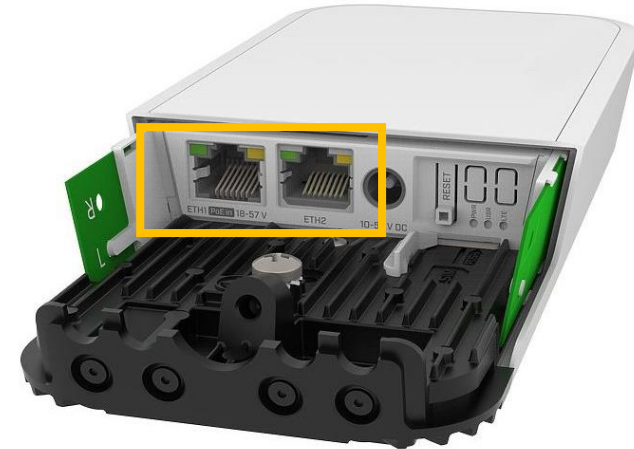
[Check Power Cable](#)

[HOME](#)

### SimRush Hardware Cabling



SimRush Go



SimRush Go+

## SimRush Go

Ether1 – LAN Port

1.2 amp 24v PSU

## SimRush Go+

Ether1 – LAN Port

Ether2 – LAN Port

1.2 amp 24v PSU

[Check Carrier](#)

[Check Power Cable](#)

[HOME](#)